

Operating, Maintenance & Parts Manual

CT-A SERIES

(8-WHEEL 4 - 5 TON MODELS)



Follow all instructions and warnings for inspecting, maintaining and operating this trolley.

The use of any trolley presents some risk of personal injury or property damage. That risk is greatly increased if proper instructions and warnings are not followed. Before using this trolley, each operator should become thoroughly familiar with all warnings, instructions, and recommendations in this manual. Retain this manual for future reference and use.

Forward this manual to the trolley operator. Failure to operate the equipment as directed in the manual may cause injury. Should you have any questions regarding this product, please call Coffing Hoists at (800) 477-5003.

INSTALLATION

GENERAL INFORMATION

The Coffing CT-A Series Trolleys are designed for use with loads up to 5 tons. Dual-tread wheels allow the trolley to be mounted on American Standard Beams (tapered flange) or Wide Flange Beams (flat flange) with a flange width of 3.86" to 7.00". Each CT-A Series Trolley includes safety lugs and four-inch diameter, machined wheels. The hoisting equipment described in these instructions is intended for industrial use only and **should not be used to lift, support or otherwise transport people.**

LOAD RATINGS

Before installing, make certain the capacity of the hoist does not exceed the rated load of the trolley and the supporting structure is capable of supporting the weight of the load, hoist and trolley with a generous factor for safety.

TROLLEY ADJUSTMENT

The trolley can be adjusted by moving washers to achieve a beam to wheel flange spacing of approximately 3/32" (Figure 1, Detail A). See Figure 3 for placement of washers per beam size.

AVAILABLE OPTIONS

Consult factory for options such as articulating trolley, patented-track wheels, wider flange width applications, etc.

MAINTENANCE

PERIODIC INSPECTION

The trolley should be inspected periodically for evidence of excess wear or overload and its continued ability to support the load. The frequency of inspection will depend on the severity of trolley use. It is recommended that the user begin with a monthly inspection and extend periods to quarterly, semi-annually or annually based on monthly experience. **Any worn parts should be replaced immediately.**

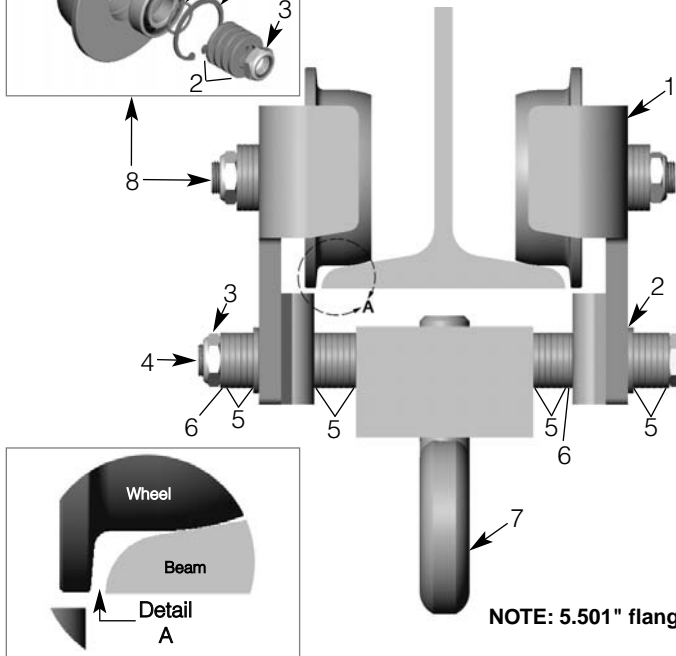
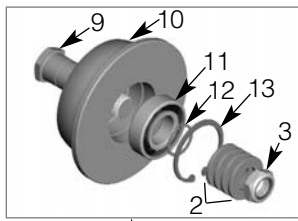
INSPECTION ITEMS

The trolley should be visually inspected for the following conditions; loose locknuts, sideplate damage or bending, clevis wear, cracks or distortion, wheel wear or cracks, and worn bearings.

LUBRICATION

Trolley wheels are equipped with sealed, lifetime-lubricated, precision ball bearings which should not require relubrication for the normal service of the trolley.

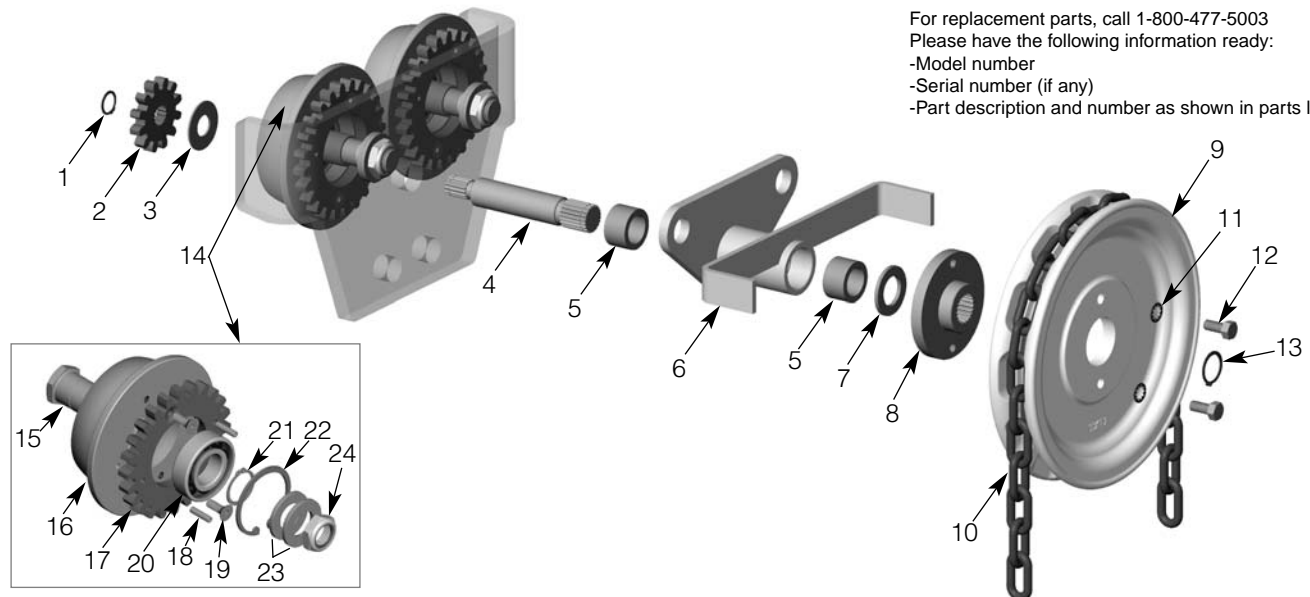
Figure 1 - CT-A Series Plain Trolley



Ref No.	Description	Part No.	Qty.
1	Sideplate	5K101	4
2	Washer (.125" Thick)	H4211	40
3	Nut	H3945	16
4	Load Pin	103K30-2	4
5	Washer (.135" Thick)	H4209	96
6	Washer (.075" Thick)	H4210	8
7	Yoke Assembly	50KG50	2
8	Plain Wheel Assembly	45JG1P	8
9	Axle	102K11	8
10	Wheel	45J1P	8
11	Ball Bearing	JF504-2	8
12	Retaining Ring	H5549	8
13	Retaining Ring	SK2658-6W	8

NOTE: 5.501" flange width beam shown.

Figure 2 - CT-A Series Geared Trolley

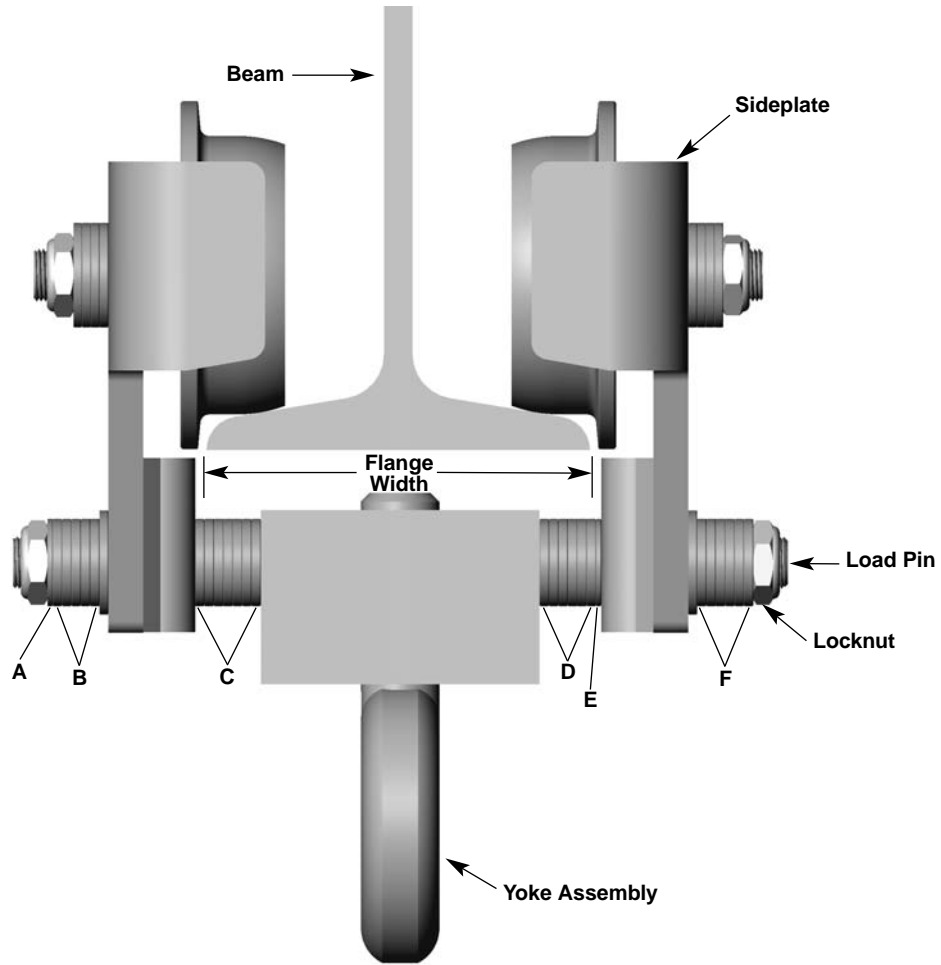


For replacement parts, call 1-800-477-5003
Please have the following information ready:
-Model number
-Serial number (if any)
-Part description and number as shown in parts list

Ref No.	Description	Part No.	Qty.
1	Retaining Ring	H5501	1
2	Pinion	420K1	1
3	Thrust Bearing (.063" Thick)	525K2	1
4	Gear Shaft	100K14-2	1
5	Sleeve Bushing	530K6	2
6	Sleeve and Adapter Assembly	51KG2-3	1
7	Thrust Bearing (.125" Thick)	525K1	1
8	Hub Adapter	51K4	1
9	Hand Chain Wheel	33K13	1
10	Hand Chain (Specify Length)	53A	1
11	Washer	H4138	2
12	Bolt	H2304	2

Ref No.	Description	Part No.	Qty.
13	Retaining Ring	H5527	1
14	Geared Wheel Assembly	45JG1G-1	2
15	Axle	102K11	1
16	Geared Wheel	45J1G	2
17	Gear	420K2	1
18	Pin	H5331	2
19	Screw	H2165	2
20	Bearing	JF504-2	1
21	Retaining Ring	H5549	1
22	Retaining Ring	SK2658-6W	1
23	Flat Washer	H4211	2
24	Nut	H3945	1

Figure 3 - Washer Chart



STANDARD BEAM Size & Weight	Flange Width	Location A H4210 (Thin)	Location B H4209 (Thick)	Location C H4209 (Thick)	Location D H4209 (Thick)	Location E H4210 (Thin)	Location F H4209 (Thick)
7" x 20.0#	3.860	0	12	0	0	2	12
8" x 18.4#	4.001	0	11	1	0	2	12
8" x 23.0#	4.171	1	10	2	1	1	11
10" x 25.4#	4.661	0	9	3	3	2	9
10" x 35.0#	4.944	0	8	4	4	2	8
12" x 31.8#	5.000	1	7	5	4	1	8
12" x 35.0#	5.078	0	7	5	4	2	8
12" x 40.8#	5.252	1	6	6	5	1	7
12" x 50.0#	5.477	0	6	6	6	2	6
15" x 42.9#	5.501	1	5	7	6	1	6
15" x 50.0#	5.640	1	5	7	7	1	5
18" x 54.7#	6.001	0	4	8	8	2	4
18" x 70.0#	6.251	2	2	10	9	0	3
20" x 66.0#	6.255	2	2	10	9	0	3
24" x 80.0#	7.000	1	0	12	12	1	0

WIDE FLANGE BEAM Size & Weight	Flange Width	Location A H4210 (Thin)	Location B H4209 (Thick)	Location C H4209 (Thick)	Location D H4209 (Thick)	Location E H4210 (Thin)	Location F H4209 (Thick)
5" x 16.0#	5.000	0	7	5	4	2	8
5" x 19.0#	5.030	1	7	5	5	1	7
6" x 9.0#	3.940	0	11	1	0	2	12
6" x 12.0#	4.000	1	11	1	1	1	11
6" x 15.0#	5.990	1	3	9	8	1	4
6" x 16.0#	4.030	2	10	2	1	0	11
6" x 20.0#	6.020	1	3	9	8	1	4
6" x 25.0#	6.080	0	3	9	8	2	4
8" x 10.0#	3.940	0	11	1	0	2	12
8" x 13.0#	4.000	1	11	1	1	1	11
8" x 15.0#	4.015	2	10	2	1	0	11
8" x 18.0#	5.250	2	6	6	6	0	6
8" x 21.0#	5.270	2	6	6	6	0	6
8" x 24.0#	6.495	0	2	10	10	2	2
8" x 28.0#	6.535	1	1	11	10	1	2
10" x 12.0#	3.960	1	11	1	1	1	11
10" x 15.0#	4.000	1	11	1	1	1	11
10" x 17.0#	4.010	2	10	2	1	0	11
10" x 19.0#	4.020	2	10	2	1	0	11
10" x 22.0#	5.750	1	4	8	7	1	5
10" x 26.0#	5.770	2	4	8	8	0	4
10" x 30.0#	5.810	0	4	8	7	2	5
12" x 14.0#	3.970	1	11	1	1	1	11
12" x 16.0#	3.990	1	11	1	1	1	11
12" x 19.0#	4.005	1	11	1	1	1	11
12" x 22.0#	4.030	2	10	2	1	0	11
12" x 26.0#	6.490	0	2	10	10	2	2
12" x 30.0#	6.520	1	1	11	10	1	2
12" x 35.0#	6.560	1	1	11	10	1	2
14" x 22.0#	5.000	0	7	5	4	2	8
14" x 26.0#	5.025	0	7	5	4	2	8
14" x 30.0#	6.730	2	0	12	11	0	1
14" x 34.0#	6.745	2	0	12	11	0	1
14" x 38.0#	6.770	0	1	11	11	2	1
16" x 26.0#	5.500	2	5	7	7	0	5
16" x 31.0#	5.525	2	5	7	7	0	5
16" x 36.0#	6.985	0	0	12	12	2	0
16" x 40.0#	6.995	0	0	12	12	2	0
18" x 35.0#	6.000	1	3	9	8	1	4
18" x 40.0#	6.015	1	3	9	8	1	4
18" x 46.0#	6.060	2	3	9	9	0	3
21" x 44.0#	6.500	0	2	10	10	2	2
21" x 50.0#	6.530	1	1	11	10	1	2
21" x 57.0#	6.555	1	1	11	10	1	2
24" x 55.0#	7.005	0	0	12	12	2	0